



---

---

---

---

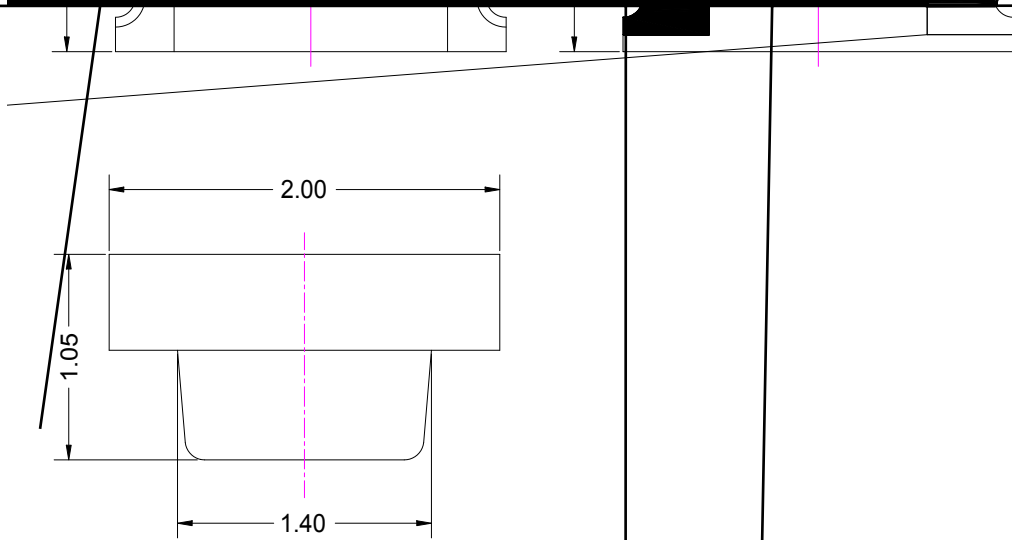
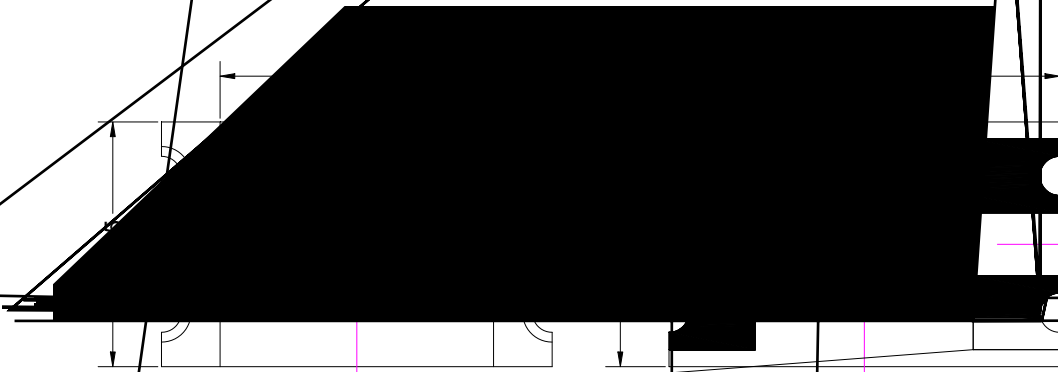
---

Wen Li	Fang Yang	Jiang Yang	Fang Wang




/

Tolerance: 0.25(0.01)





3 Charac eri ic

For ard c rren	If	30	mA
Re er e ol age	Vr	5	V
Po er di ipa ion	Pd	110	mW
Opera ing empera re range	Top	-25 +80	C
S orage empera re range	T g	-30 +80	C
Peak p l ing c rren 1/8 d f=1KH	lfp	125	mA

Wa eleng h a peak emi ion	If=20mA	peak	620	625	630	nm
			515	520	525	
			460	465	470	
Spec ral half band id h	If=20mA			10		
			1.8	2.0	2.4	
For ard ol age	If=20mA	Vf	3.0	3.3	3.6	V
			3.0	3.3	3.6	
			400	550	650	
L mino in en i	If=20mA	I	800	1100	1300	mcd
			200	250	350	
Vie ing angle a 50% IV	If=10mA		--	120	--	Deg



Re er e c rren	Vr=5V	Ir	--	--	5	A
U ef l life	-	IF=20mA	100000			H

Typical Electrical/Optical Characteristic Curve  
(Ta=25 Unless Otherwise Noted)

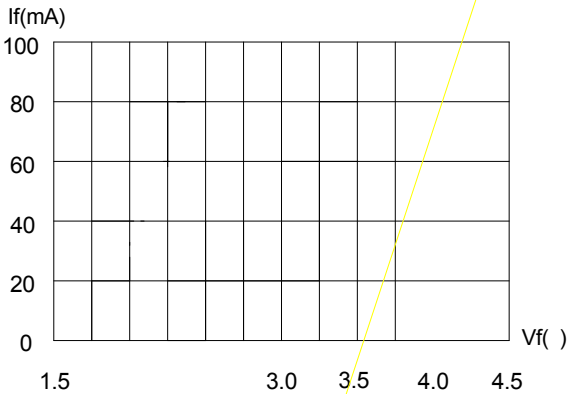


Fig.1 Forward Current - Forward Voltage

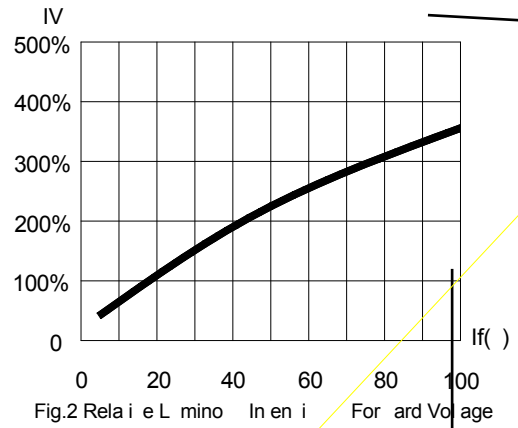


Fig.2 Relative Luminous Intensity - Forward Voltage

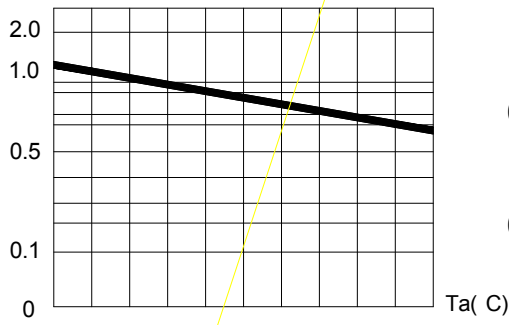


Fig.3 Relative Luminous Intensity - Ambient Temperature

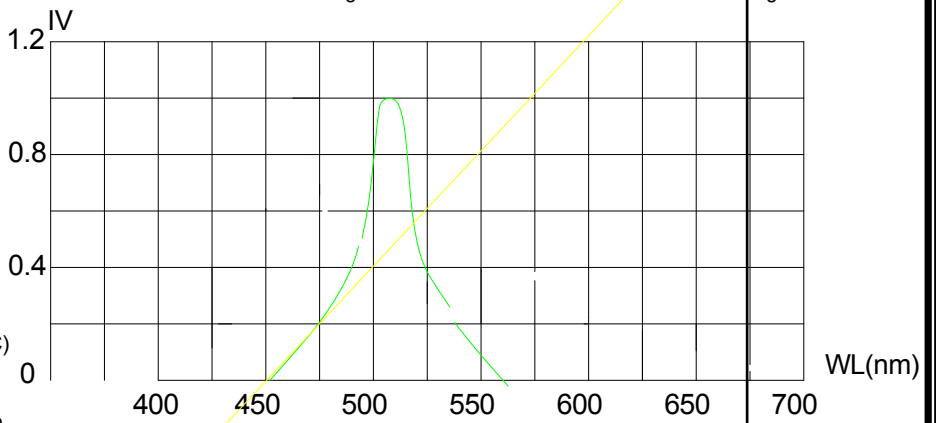


Fig.4 Relative Luminous Intensity - Wavelength

Directional Characteristics

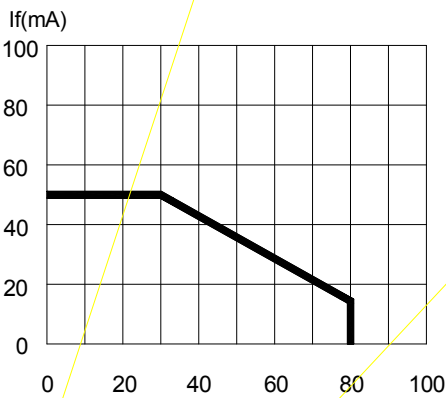
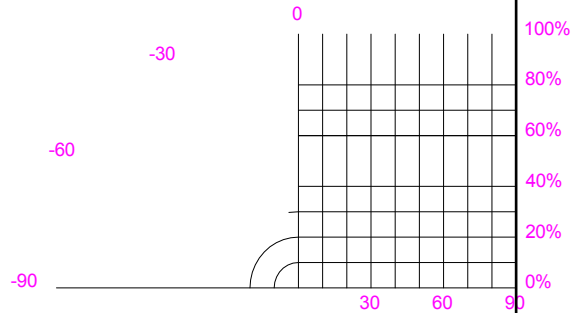
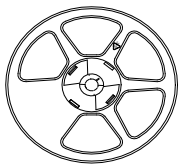
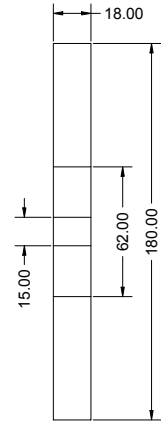
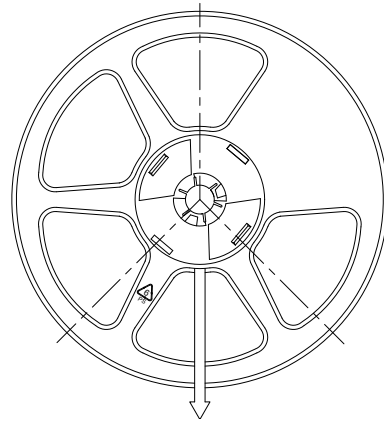
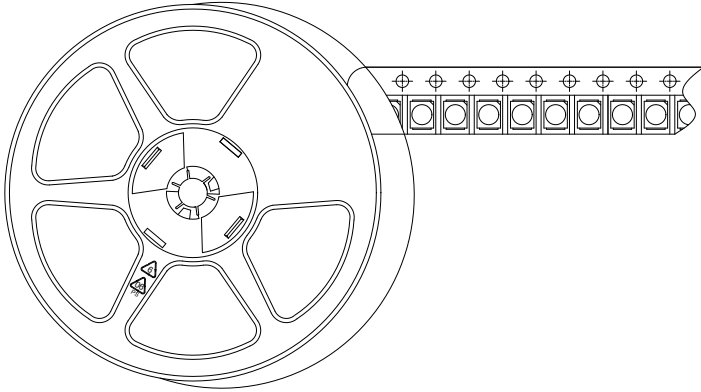


Fig.5 Maximum Forward Current - Ambient Temperature





Diame er:180.0mm  
Wid h:18mm  
SMD0805R 4000pc /Reel  
An i-S a ic Shielding  
Black Reel

An i-S a ic Shielding  
1 Reel / Bag (T=0.1mm)

10 Bag / 1 Inner Bo  
SMD0805R  
40,000pc /Inner Bo